

Dough Mixers

40 liter Fork Kneader with Flat Panel

ITEM # _____

MODEL # _____

NAME # _____

SIS # _____

AIA # _____


601994 (BPO45F1)

 Fork Kneader with flat panel,
 40 liter - 200-240/1/50-60

Short Form Specification

Item No. _____

Angled-shaft fork kneader with 40 L bowl capacity. Assembled on a welded steel base which supports the kneading head and the removable bowl. A transparent protective screen covers the bowl with an opening for adding products or for "scraping" the dough. Particular head raising and instantaneous locking system. Touch button control panel. Progressive action brakes regulate the bowl rotation speed. 2 speeds: 45 rpm and 90 rpm. Touch button control panel. Adjustable timer (0-59 min). Mobile stainless steel stand available as an option. Supplied with 40 litre bowl.

Main Features

- Welded steel base to support kneading head and removable aluminum bowl.
- Suitable to be fitted on a solid sound-deadening support or on a mobile stainless steel stand, available as optional accessory.
- Transparent protective screen covering the bowl has an opening to add products or to remove residual dough.
- Touch button control panel.
- Instantaneous locking system.
- Removable aluminum bowl.
- Suitable to knead from 4 to 15kg of flour (6-24 kg of dough) per cycle.

Construction

- Angled-shaft fork kneader with 40 lt bowl capacity
- 2 speeds (45 and 90 rpm) controlled by progressive action brakes.
- Power: 800 watts.
- IP23 protection index.

Optional Accessories

- Stainless steel mobile stand. PNC 653017
 Height: 730 mm

APPROVAL: _____

Electric

Supply voltage:

601994 (BPO45F1)

200-240 V/1N ph/50/60 Hz

Total Watts:

0.75 kW

Key Information:

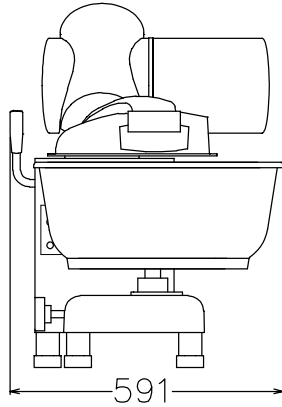
External dimensions, Width: 591 mm

External dimensions, Depth: 798 mm

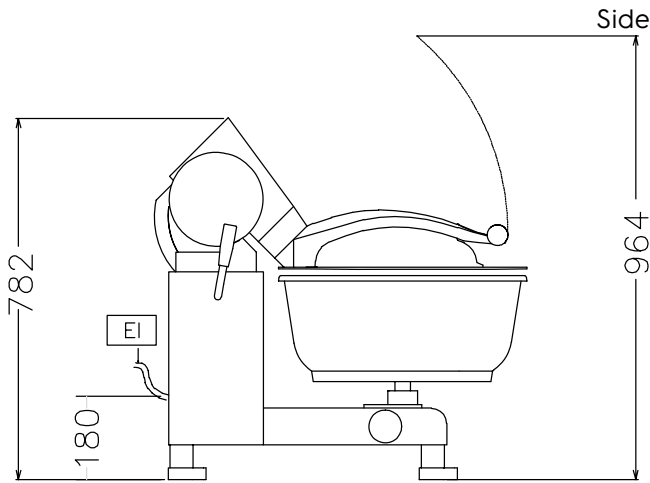
External dimensions, Height: 782 mm

Shipping weight: 97 kg

Front



Side



EI = Electrical inlet (power)

Top

